

COMOSS GACON Series DIY Kit

Data Sheet

Layer 2, 1000Base-T for UTP to POF(Plastic Optical Fiber) Network Converter. Provides High-Speed POF for Desktop Computers and Laptops with UTP Port(s).

Overview

The GACON Series is 1000Base-TX UTP (Unshielded Twisted Pair) to 1000Base-X POF (Plastic Optical Fiber) converter. The GACON Series includes Ethernet (RJ-45) connectors and OPTOLOCK® POF transceivers. It supports full-duplex and high-speed data transmission in POF interface. LED indicators are used to display power status of converter, link/ active status of OPTOLOCK® POF port.

This product is really plug-and-play and requires no additional settings. The GACON Series are fully compatible for IEEE 802.3z Fast Ethernet data communication standard. Their solutions are in any Fast Ethernet LAN, FTTH or xDSL application.



Content

CONTENT	2
PACKET INCLUDE	3
KEY FEATURES	3
SPECIFICATION	4
APPLICATION	5
LED INDICATIONS	6
ORDER INFORMATION	7

Packet Include

- (1) GACON Series Media Converter..... 2 Pcs.
- (2) AC adapter.....2 Pcs.
- (3) UTP cable 40cm.....2 Pcs.
- (4) POF cable 30 meters.....1 Pcs.
- (5) POF cable cutter.....1 Pcs.

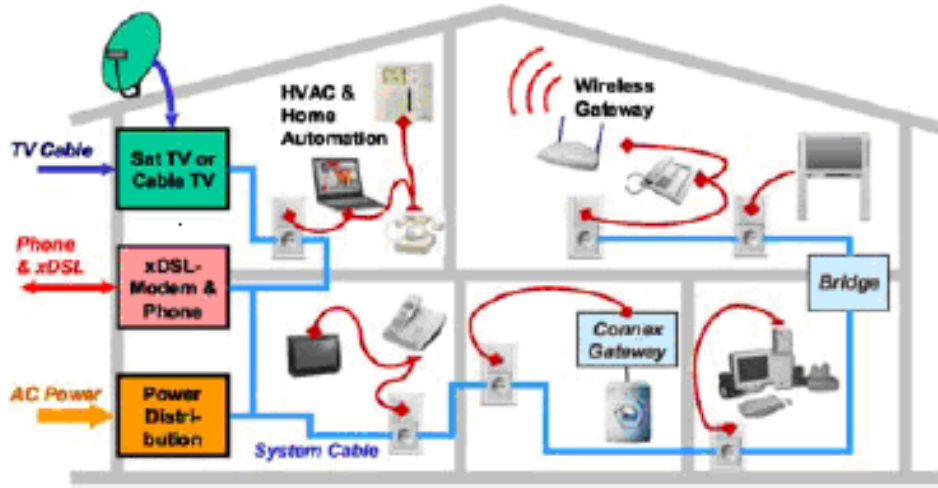
Key Features

- (1) Fully comply with IEEE 802.3ab & IEEE 802.3z, 1000Base-T and 1000Base-X.
- (2) Support one 1000Base-T RJ-45 port and one 1000Base-X OPTOLOCK® or SMI connector.
- (3) Transmit signal up to 3 meters SI-POF or 30 meters GI-POF that meet IEEE 1394b Std.
- (4) Display converter status by LED indicators.
- (5) Support 1000Mbps and full/ half-duplex operation at RJ-45 port.
- (6) Support 1000Mbps and full duplex operation at fiber port.
- (7) Very low power consumption.
- (8) Plug-and-play and easy installation.

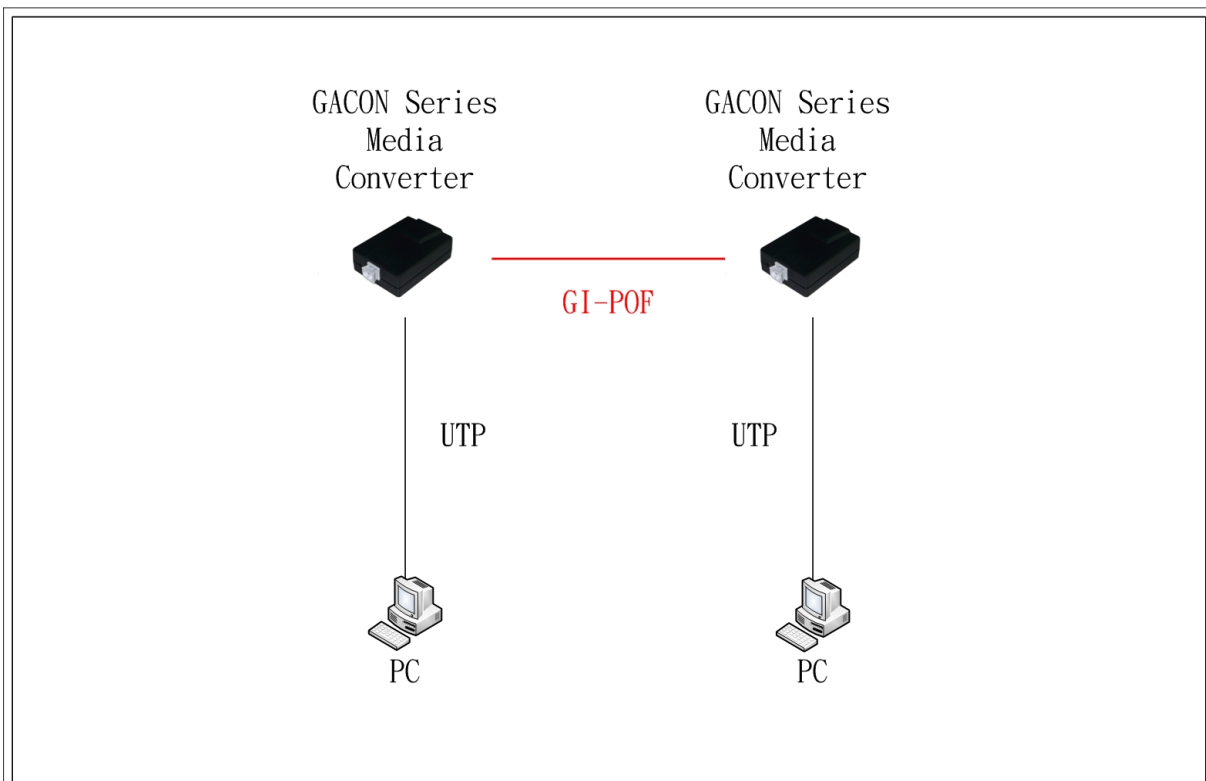
Specification

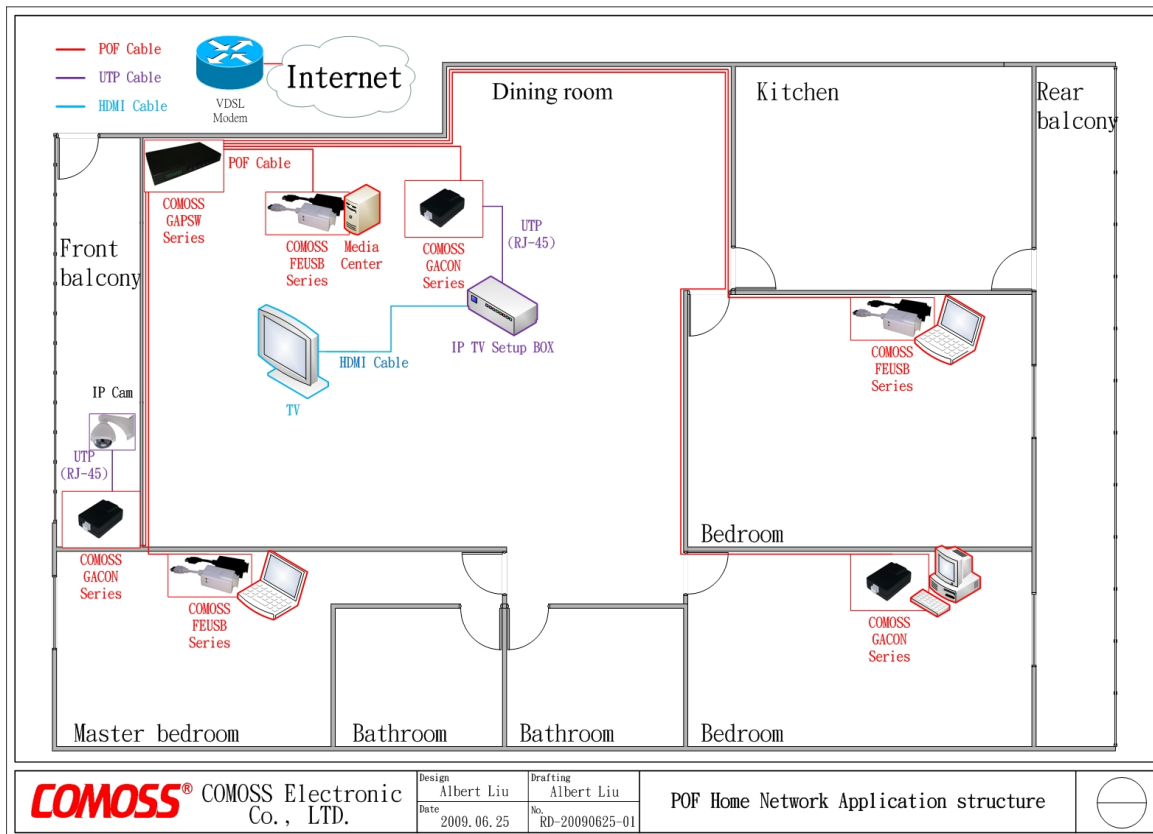
Parameter	Optical Port	Electrical Port
Standard compatibility	1000Base-X	1000Base-T
Data Rate	1000Mbps	1000Mbps
Transmitting Length	30M at GI-POF interface.	1000Mbps at copper interface
Interface connector	OPTOLOCK [®] POF transceiver	RJ-45 connector
Equipped cable	Optolup [®] OPTOLOCK [®] POF patch cord	4 pairs CAT3/ CAT5/ CAT6 UTP or STP patch cord
LED Indication	Power status, POF port link/ active status.	
Operating Environment	Temperature: 0~50 °C Humidity: 10%~90%	
Storage Environment	Temperature: -40~70 °C Humidity: 10%~90%(Non-condensing)	
Operating Power	5V @ 1A Max.	
Power Consumption	5 W Max.	
DC Power Connector	OD: 5.5, ID: 2.1 mm DC plug suitable	
Dimensions (W x D x H)	79.7 mm x 55 mm x 23 mm	
Total Weight	TBD	
EMC Certification	FCC certification: Part 15 Subpart B 2. CE certification: EN55022/ 55024/ 61000-3-2/ 61000-3-3	

Application

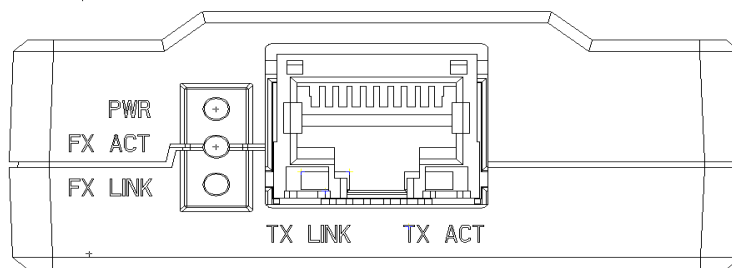


POF Network





LED Indications



LED	Color	Status	Function
PWR	Red	ON	When input power is detected.
FX ACT	Yellow	ON	If connection of POF is good.
FX LINK	Green	Blink	When any FX packet is transmitting.
TX ACT	Yellow	ON	If connection of copper cable is good.
TX LINK	Green	Blink	When any TX packet is transmitting.

Order Information

DIYKIT - X

(1)

(1) Converter Type :

- 1000 : Throughputs
1000Mbps.

P.S. OPTOCLOCK[®] is a registered by FIRECOMMS Ltd.