

COMOSS FECON Series DIY Kit

Data Sheet

Layer 2, 100Base-FX for UTP to POF(Plastic Optical Fiber) Network Converter. Provides High-Speed POF for Desktop Computers and Laptops with UTP Port(s).

Overview

The FECON Series is 10/100Base-TX UTP (Unshielded Twisted Pair) to 100Base-FX POF (Plastic Optical Fiber) converter. The FECON Series includes Ethernet (RJ-45) connectors and OPTOLOCK® POF transceivers. It supports full-duplex and high-speed data transmission in POF interface. LED indicators are used to display power status of converter, link/ active status of FX port and link/ active status of RJ-45 port. This product is really plug-and-play and requires no additional settings.

The FECON Series are fully compatible for IEEE 802.3u Fast Ethernet data communication standard. Their solutions are in any Fast Ethernet LAN, FTTH or xDSL application.



Content

CONTENT	2
PACKET INCLUDE	3
KEY FEATURES	3
SPECIFICATION	4
APPLICATION	5
LED INDICATIONS	6
ORDER INFORMATION	7

Packet Include

- (1) FECON Series Media Converter..... 2 Pcs.
- (2) AC adapter.....2 Pcs.
- (3) UTP cable 40cm.....2 Pcs.
- (4) SI-POF cable 30 meters..... .1 Pcs.
- (5) POF cable cutter.....1 Pcs.

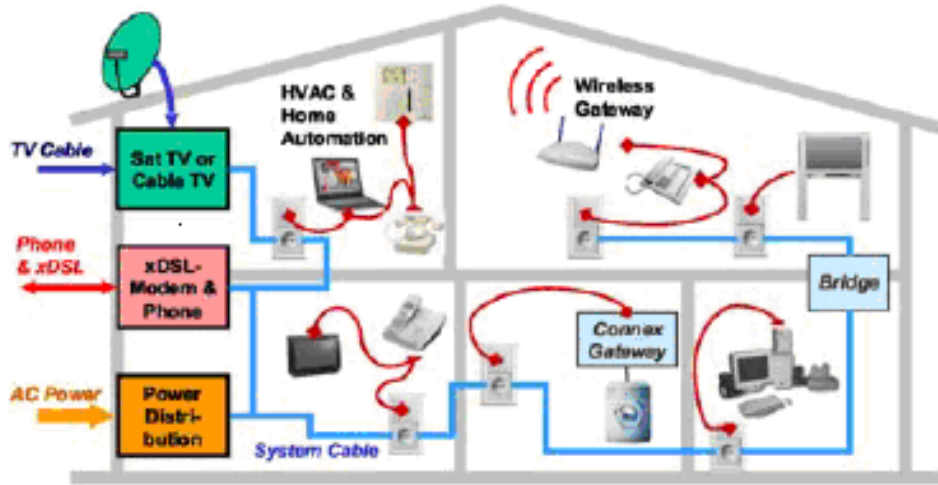
Key Features

- (1) Fully comply with IEEE 802.3u, 10/100Base-TX and 100Base-FX.
- (2) Support one 10/100Base-TX RJ-45 port and one 100Base-FX OPTOLOCK[®] or connector.
- (3) Transmit signal up to 50 meters POF that meet IEEE 1394b Std.
- (4) Display converter status by LED indicators.
- (5) Support 10Mbps/ 100Mbps and full/ half-duplex operation at RJ-45 port.
- (6) Support 100Mbps and full duplex operation at OPTOLOCK[®] port.
- (7) Plug-and-play and easy installation.
- (8) Low power consumption and Low cost.

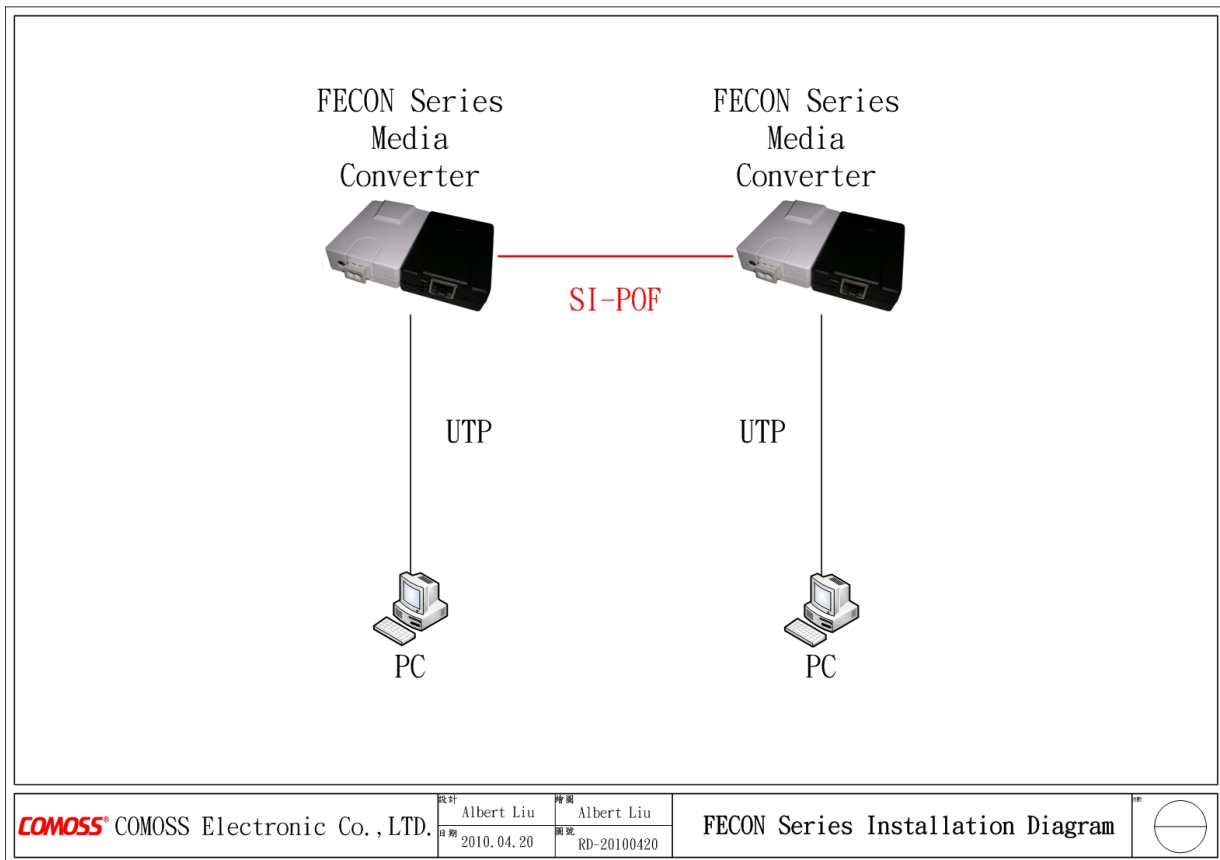
Specification

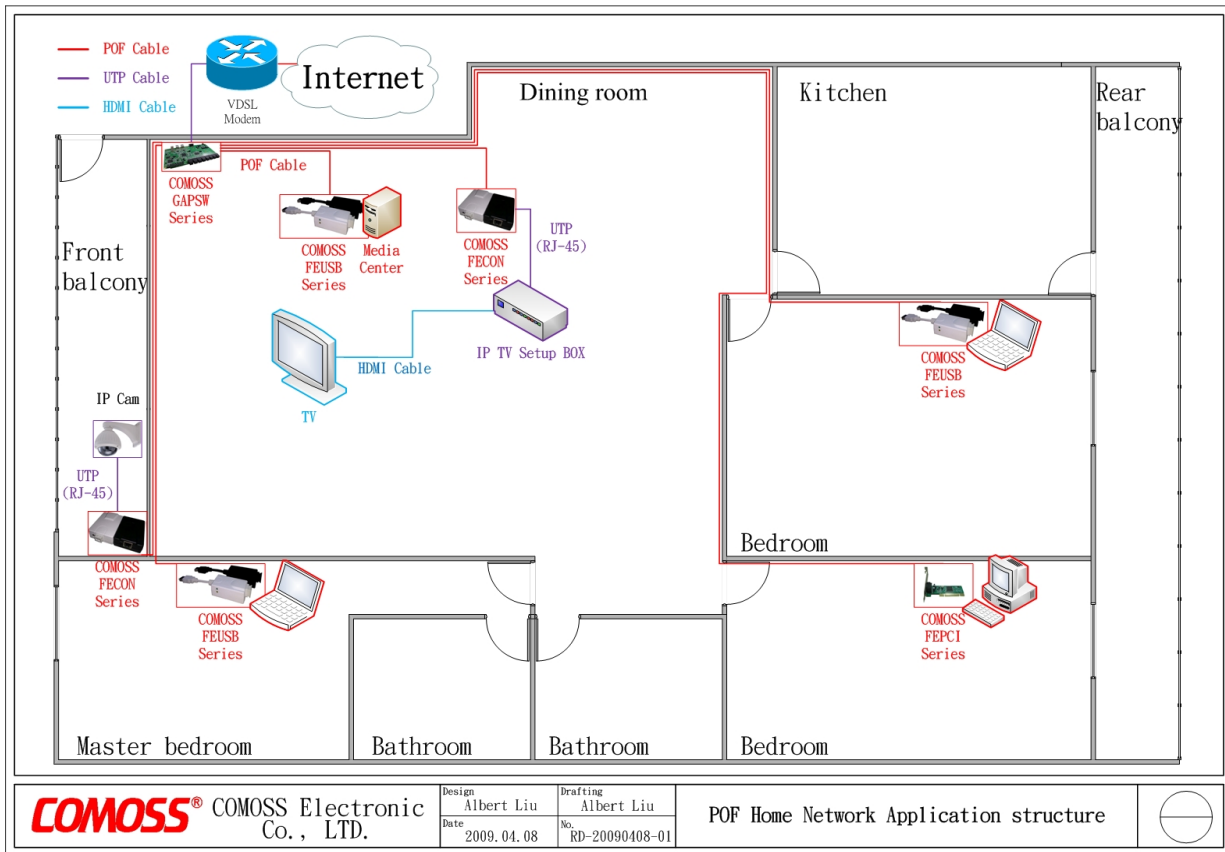
Parameter	Optical Port	Electrical Port
Standard compatibility	IEEE 802.3u Fast Ethernet 2. 100Base-FX	IEEE 802.3u Fast Ethernet 2. 10/100Base-TX
Data Rate	100Mbps	10/100Mbps
Transmitting Length	50M at POF interface	100M at copper interface
Interface connector	OPTOLOCK [®] POF transceiver (COMOSS OLKDX series)	RJ-45 connector (meet EIA-568)
Equipped cable	OPTOLOCK [®] POF patch cord	4 pairs CAT3/ CAT5/ CAT6 UTP or STP patch cord
LED Indication	Power status, FX link/ active status and TX link/ active status	
Operating Environment	Temperature: 0~50 °C Humidity: 10%~90%	
Storage Environment	Temperature: -40~70 °C Humidity: 10%~90%(Non-condensing)	
Operating Power	5V/1A Max.	
Power Consumption	5 W Max.	
DC Power Connector	OD: 5.5, ID: 2.1 mm DC plug suitable	
Dimensions (W x D x H)	75 x 55 x 22.5 mm	
Total Weight	60g	
EMC Certification	FCC certification: Part 15 Subpart B 2. CE certification: EN55022/ 55024/ 61000-3-2/ 61000-3-3	

Application

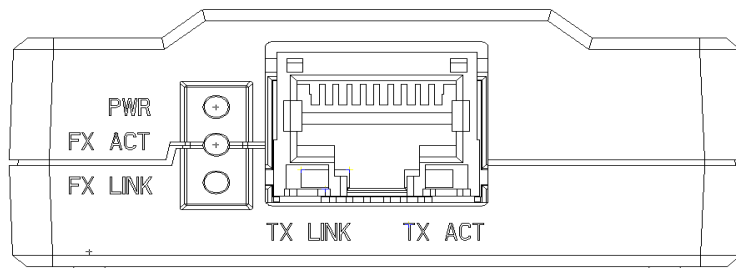


POF Network





LED Indications



LED	Color	Status	Function
PWR	Red	ON	When input power is detected.
FX ACT	Yellow	ON	If connection of POF is good.
FX LINK	Green	Blink	When any FX packet is transmitting.
TX ACT	Yellow	ON	If connection of copper cable is good.
TX LINK	Green	Blink	When any TX packet is transmitting.

Order Information

DIYKIT - X

(1)

(1) Converter Type :

- 100 : Throughputs
100Mbps.

P.S. OPTOCLOCK[®] is a registered by FIRECOMMS Ltd.