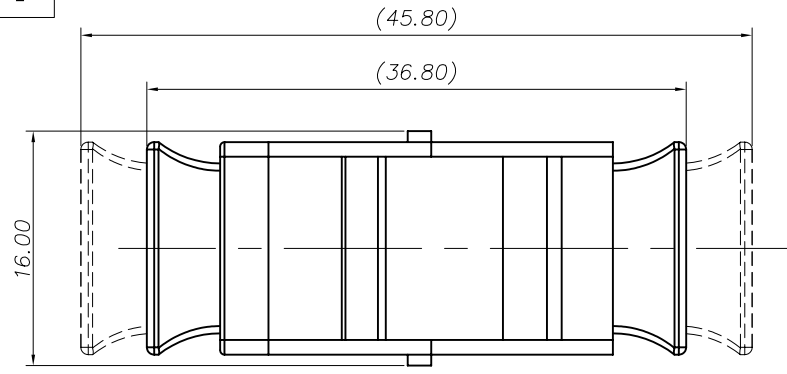


**CUSTOMER COPY**

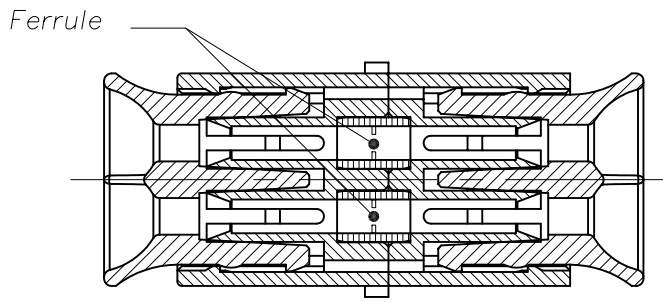
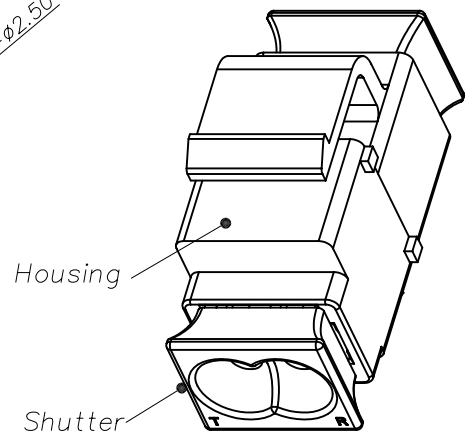
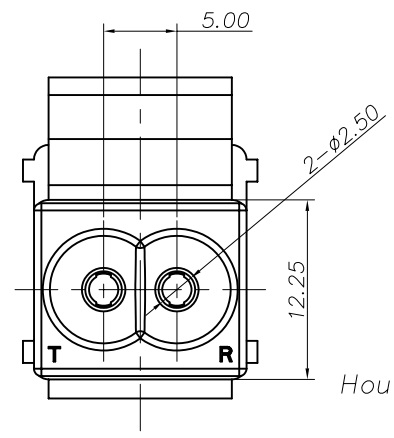
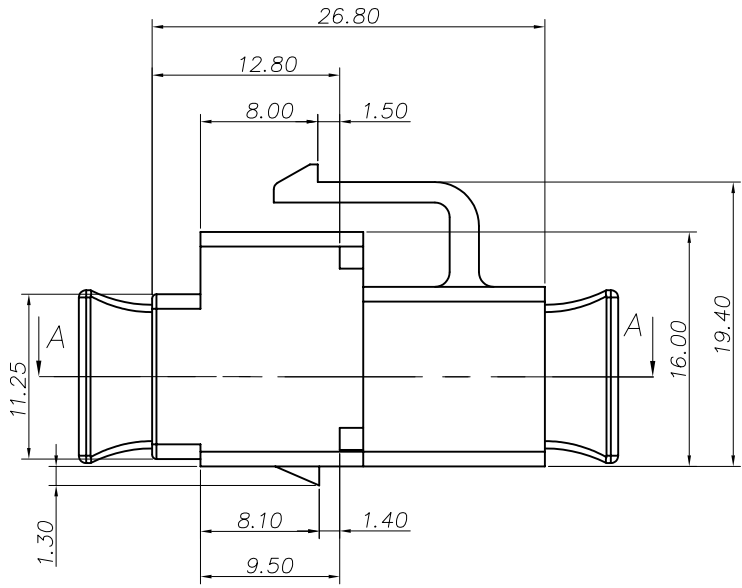
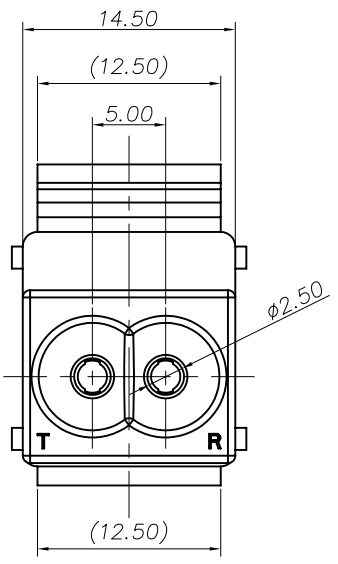
**RoHS**

REV.	DESCRIPTION	BY/DATE	CHECK/DATE	APPROVED/DATE
1.0	D2943	Lemon Jul,19,11'		



Notes:

- 1) Material :  
 Outer Housing: Thermoplastic 30%G.F.UL94V-0  
 Ferrel: Thermoplastic 30%G.F. UL94V-0  
 Shutter: Thermoplastic 30%G.F. UL94V-0
- 2) Product Must Conform to RoHS.



SECTION A-A

General Tolerance	Angle Tolerance	Dwg	Date	<b>COMOSS®</b> COMOSS ELECTRONIC CO., LTD. 4F., No. 11, Chung-Hsin St., ShuLin 238, Taipei, Taiwan R.O.C.
.X ±0.30	.X° ±1.0°	Lemon Jul,19,11'	Lemon Jul,19,11'	
.XX ±0.20	.XX° ±0.5°	Design	Date	Item Optolock Adaptor Latched Assembly For OD:2.20mm
.XXX ±0.10	.XXX° ±0.2°	Lemon Jul,19,11'	Date	
SHEET 1/1		CHK	Date	Dwg. No. A06468 Part No. C2202074
FINISH See Notes		APPR	Date	
Scale 2:1	Unit: mm			SIZE A4
				REV 1.0

Drawing is subject to change without notice. Any updated information required, please contact with our sales dept.