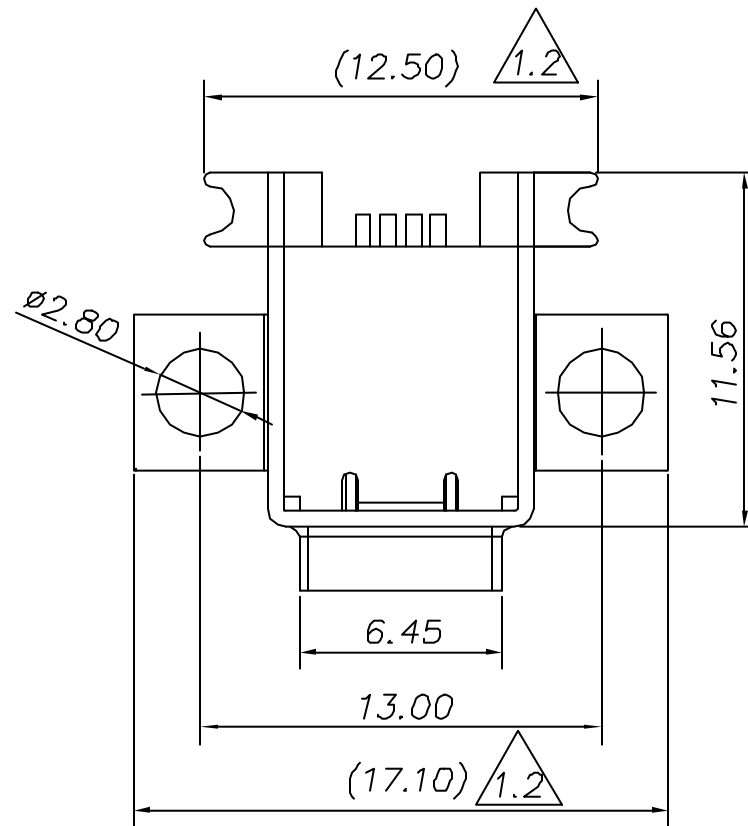
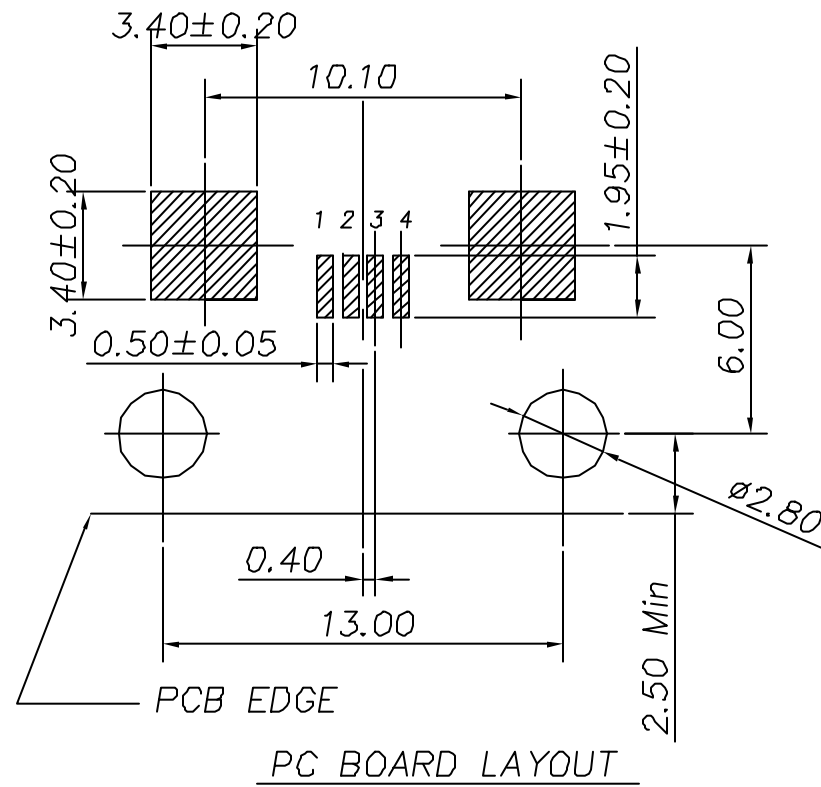


CUSTOMER COPY

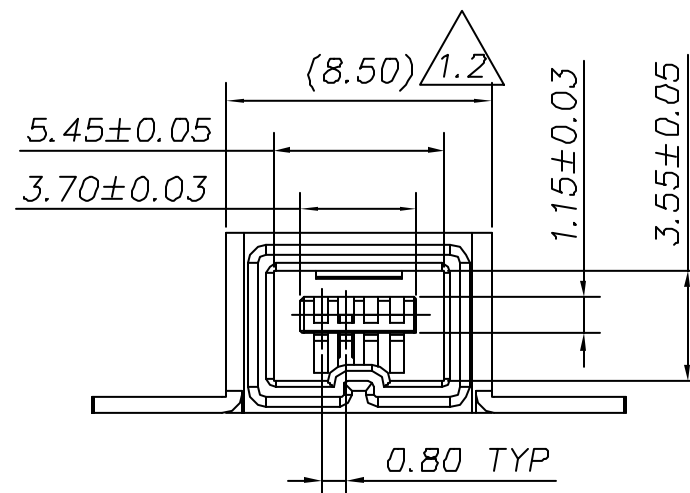
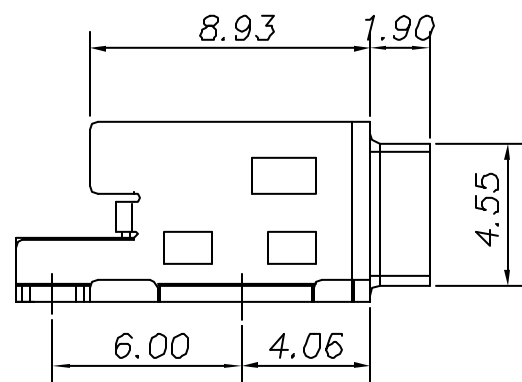
REV.	DESCRIPTION	BY/DATE	CHECK/DATE	APPROVED/DATE
1.0	Original Desing	17,MAY,01'		
1.1	Add Notes & remove order information	Samdy 09/14/02'		
1.2	R-0194	Jarcy,Nov,03,03'		



△ 1.2

Notes:

- 1) Material
Housing : PBT UL94-V0
Contacts : Copper Alloy
- 2) Environmental
+15°C~+85°C
- 3) Electrical
Contact Current Rating: 1.0 Amp Max.
Insulation Resistance : 100MΩ Min.
Contact Resistance : 30mΩ Max.
Dielectric Withstanding Voltage: 100VDC±10VDC
- 4) Finish
Refer to Order Information



General Tolerance	Angle Tolerance	Dwg	Date	COMOSS® COMOSS ELECTRONIC CO., LTD. 4F., No. 11, Chung-Hsin St., ShuLin 238, Taipei, Taiwan R.O.C.
.X ±0.25	.X° ±1.0°	Jacky	17,MAY,01'	
.XX ±0.15	.XX° ±0.5°	Design	Date	Item 1394 CONNECTOR
.XXX ±0.05	.XXX° ±0.2°	Jacky	17,MAY,01'	4PIN FEMALE PCB END RIGHT ANGLE(SMT)
SHEET 1/1	FINISH See Notes	CHK	Date	Dwg. No. A0146
Scale 4:1	Unit: mm	APPR	Date	Part No. 1394-4FMXXXX
				SIZE A3 REV 1.2