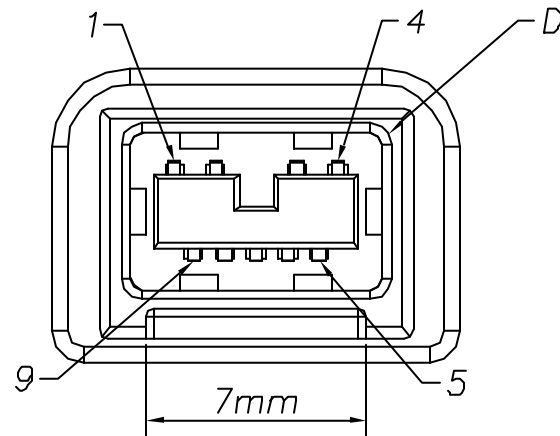
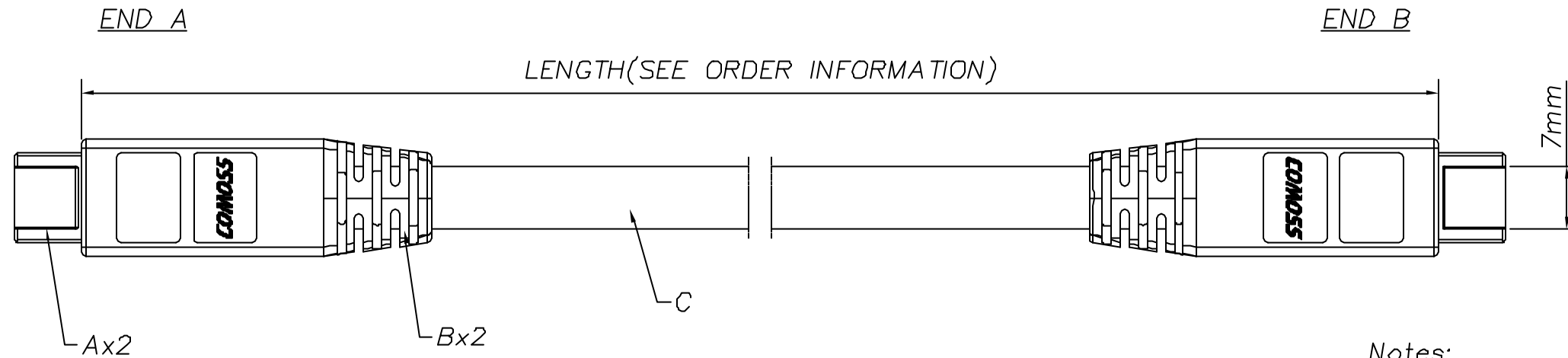


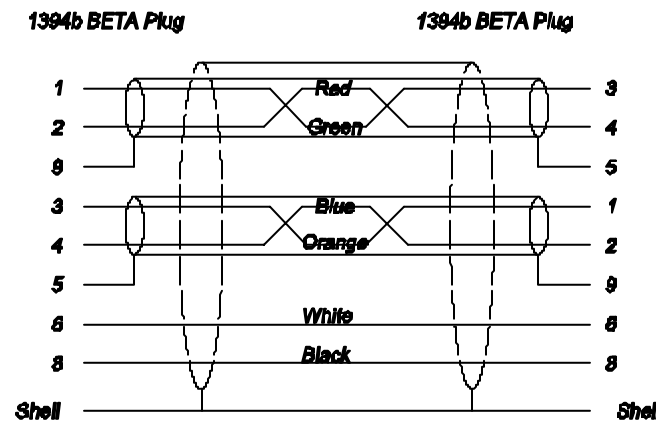
CUSTOMER COPY

REV.	DESCRIPTION	BY/DATE	CHECK/DATE	APPROVED/DATE
1.0	Ori.	9/11/02'		
1.1	Chg material and Correct	Frank/Apr.28,03'		



View at the interface
Scale

CONNECTOR PIN OUT



Notes:

- Electrical Specifications:
Voltage: 30V
Current: 1.5 AMPS
Contact Resistance: 50mΩ max.
Shell Resistance: 50mΩ
Insulation Resistance: 100 MΩ min.
Dielectric Withstand: 100Vdc
- Temperature Range:
Operating: -40°C ~ +85°C
Storage: -40°C ~ +105°C
- Cable SPEC.:
UL20379/IEEE1394, 2*(1P*25Awg+DN+AL
+Mylar)+2C*22Awg+Mylar+Al+B, 90%
O.D.: 7.0mm,
Color: Gray (Gray006)

Table:

ITEM	DESCRIPTION	MATERIAL	P/N
D	1394b BETA PLUG CONNECTOR	SPEC.	HSP-BM011000
C	1394 9PIN CABLE	SEE NOTE3	-----
B	PVC OVERMOLD	80P PVC/PURPLE	A0902041
A	1394b BETA COVER	PA66 (UL 94-V0)/BLACK	A0205012

General Tolerance	Angle Tolerance	Dwg	Date	COMOSS® COMOSS ELECTRONIC CO., LTD. <small>4F., No. 11, Chung-Hsin St., ShuLin 238, Taipei, Taiwan R.O.C.</small> Item 1394 CABLE ASSEMBLY 1394b BETA TO BETA
.X ±0.15	.X' ±1.0°	William	9/11/02'	
.XX ±0.10	.XX' ±0.5°	Design Ben	Date 9/11/02'	
.XXX ±0.05	.XXX' ±0.2°	CHK	Date	
SHEET 1/1		FINISH See Notes		Dwg. No. A0300 Part No. 1394C-9A-9A-XXX-00
Scale N/A	Unit: mm	APPR	Date	
		SIZE A3 REV 1.1		