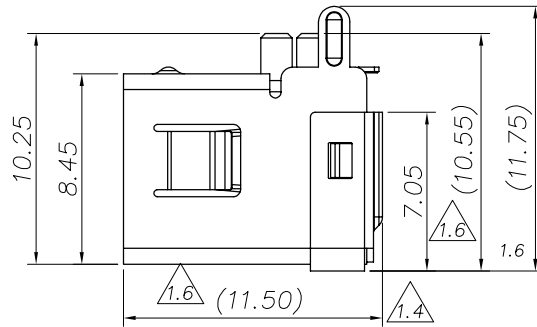
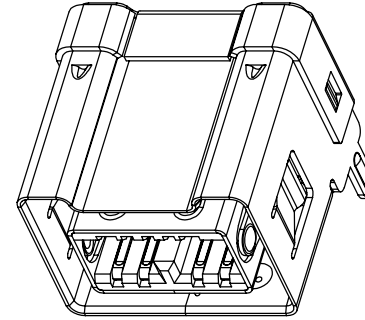
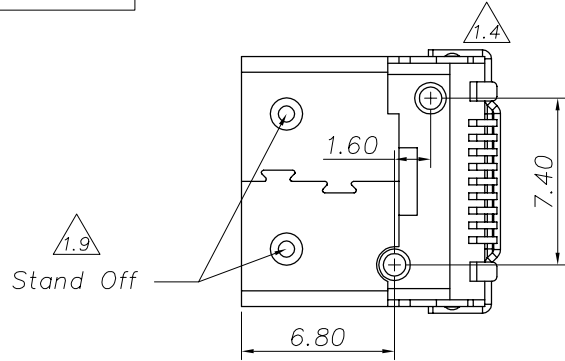


**CUSTOMER COPY**

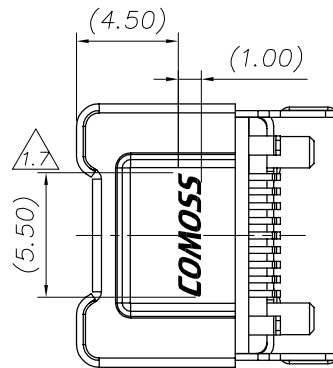
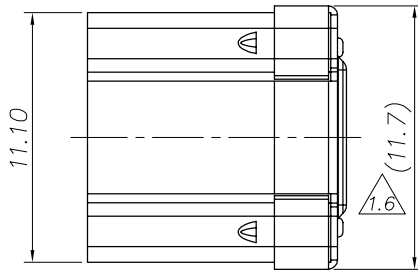
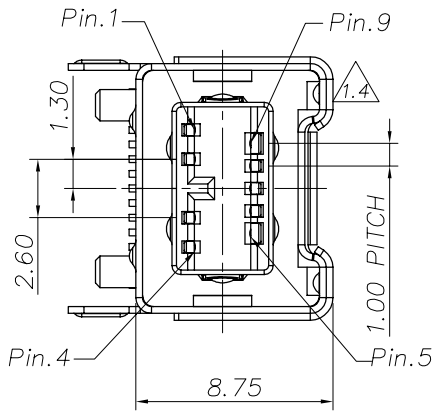
**RoHS**

REV.	DESCRIPTION	BY/DATE	CHECK/DATE	APPROVED/DATE
1.6	R-0373	Jandy/May,20,04'		
1.7	R-1415	Lemon Dec,04,07'		
1.8	R-1836	Lemon Apr,15,08'		
1.9	R-1968	Lemon Apr,28,09'		



NOTES:

- MATERIAL:  
 HOUSING: Thermoplastic, UL94V-0  
 CONTACT: Copper Alloy  
 SHELL: Brass
- PLATING:  
 Please refer to order information



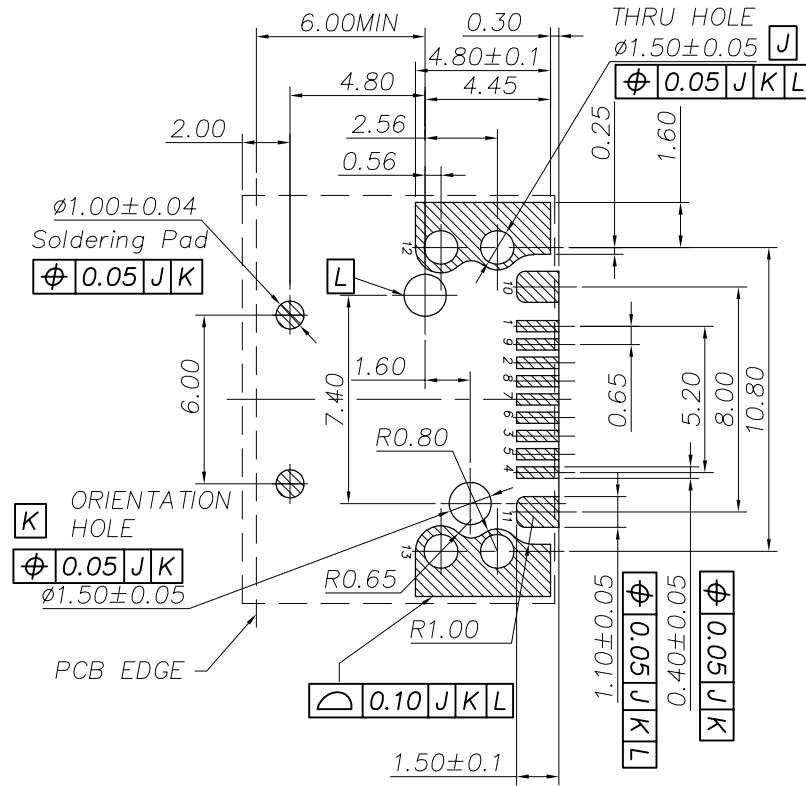
General Tolerance	Angle Tolerance	Dwg	Date	<b>COMOSS®</b> COMOSS ELECTRONIC CO., LTD. 4F., No. 11, Chung-Hsin St., ShuLin 238, Taipei, Taiwan R.O.C.	
.X ±0.30	.X° ±1.0°	Paul	09/01/02'		
.XX ±0.20	.XX° ±0.5°	Design	Date	Item 1394b Beta Socket Connector (Dip Single Lug)	
.XXX ±0.10	.XXX° ±0.2°	Ben	03/14/02'		
SHEET 1/3		CHK	Date	Dwg. No. A00265 Part No. HSR-ADXXX	
FINISH -----		APPR	Date		
Scale N/A	Unit: mm			REV 1.9	

Drawing is subject to change without notice. Any updated information required, please contact with our sales dept.

**CUSTOMER COPY**

**RoHS**

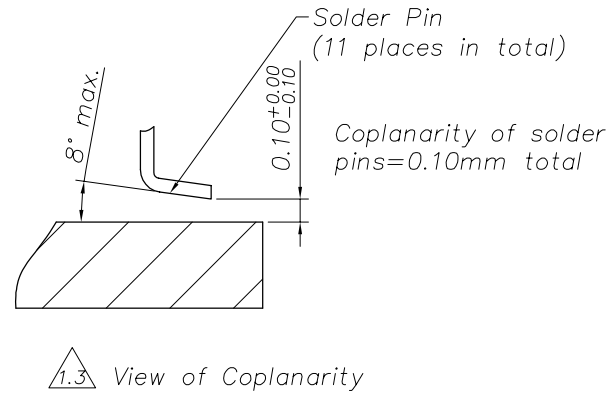
REV.	DESCRIPTION	BY/DATE	CHECK/DATE	APPROVED/DATE
1.6	R-0373	Jandy/May,20,04'		
1.7	R-1415	Lemon Dec,04,07'		
1.8	R-1836	Lemon Apr,15,08'		
1.9	R-1968	Lemon Apr,28,09'		



PCB LAYER OUT  
SCALE 5:1

Notes:

- Electrical Specifications:  
Voltage: 30V  
Current: 1.5 AMPS  
Contact Resistance: 50mΩ max.  
Shell Resistance: 50mΩ  
Insulation Resistance: 100 MΩ min.  
Dielectric Withstand: 100Vdc
- Temperature Range:  
Operating: -40°C ~ +85°C  
Storage: -40°C ~ +105°C
- The Clearance Between the contact and PCB no more than 0.10mm

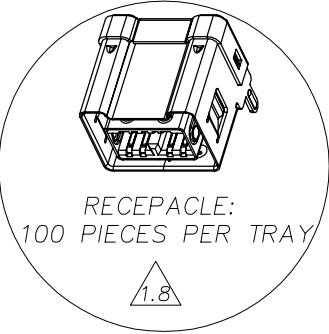
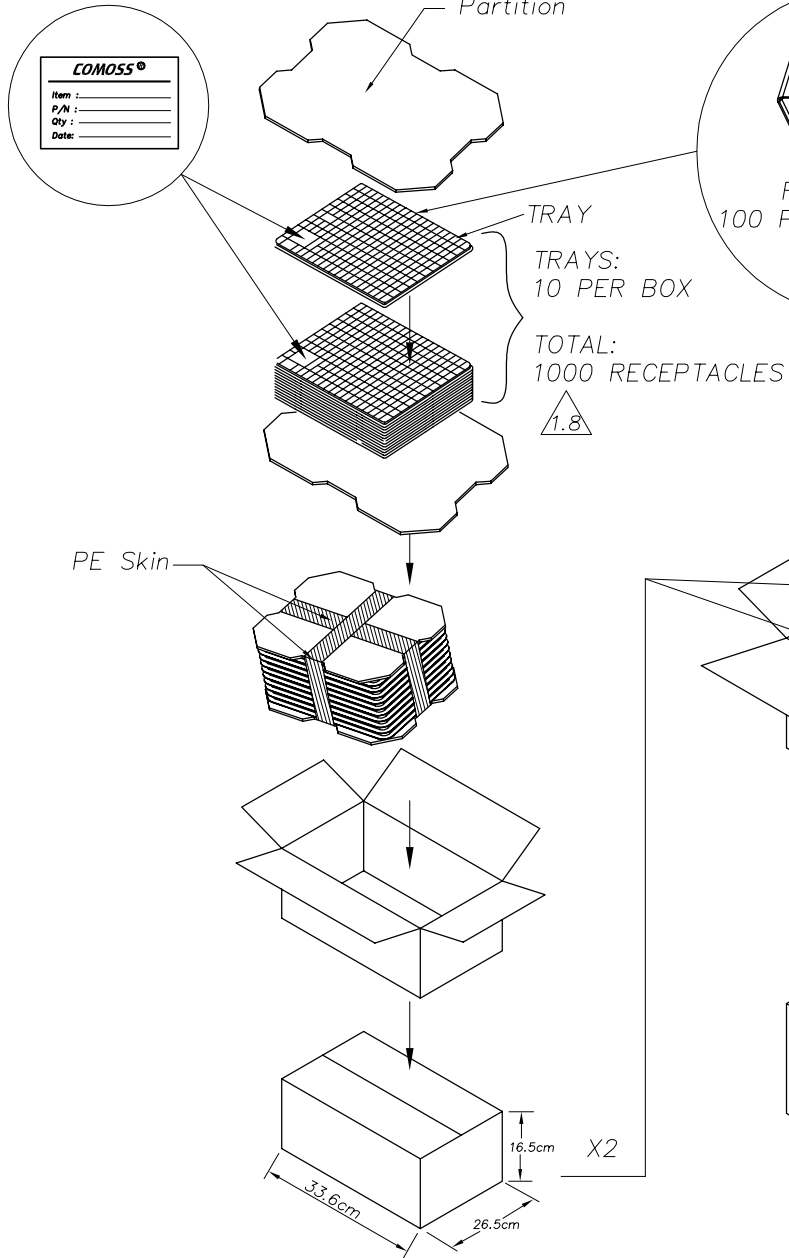


General Tolerance		Angle Tolerance		Dwg	Date	COMOSS® COMOSS ELECTRONIC CO., LTD. 4F., No. 11, Chung-Hsin St., ShuLin 238, Taipei, Taiwan R.O.C.	
.X	±0.30	.X°	±1.0°	Paul	09/01/02'		
.XX	±0.20	.XX°	±0.5°	Design	Date	Socket Connector (Dip Single Lug)	
.XXX	±0.10	.XXX°	±0.2°	Ben	03/14/02'		
SHEET 2/3				CHK	Date	Part No. HSR-ADXXX	
FINISH -----				APPR	Date		
Scale	N/A	Unit:	mm				

Drawing is subject to change without notice. Any updated information required, please contact with our sales dept.

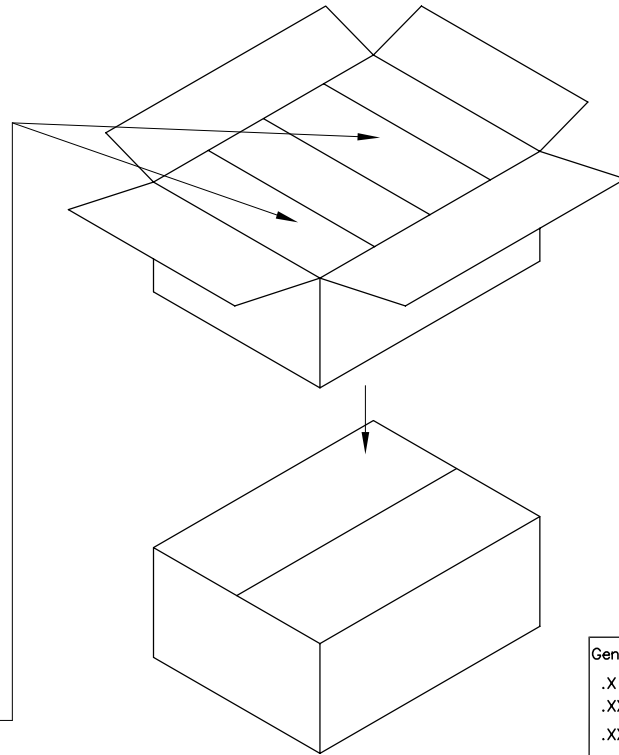
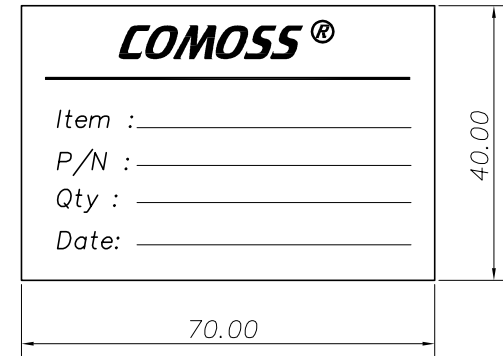
# CUSTOMER COPY

**RoHS**



REV.	DESCRIPTION	BY/DATE	CHECK/DATE	APPROVED/DATE
1.6	R-0373	Jandy/May,20,04'		
1.7	R-1415	Lemon Dec,04,07'		
1.8	R-1836	Lemon Apr,15,08'		
1.9	R-1968	Lemon Apr,28,09'		

The color of the text is red



General Tolerance	Angle Tolerance	Dwg	Date	<b>COMOSS®</b> COMOSS ELECTRONIC CO., LTD. 4F., No. 11, Chung-Hsin St., ShuLin 238, Taipei, Taiwan R.O.C.
.X ±0.30	.X° ±1.0°	Paul	11/09/02'	
.XX ±0.20	.XX° ±0.5°	Design	Date	Item 1394b Beta Socket Connector (Dip Single Lug)
.XXX ±0.10	.XXX° ±0.2°	Samdy	11/09/02'	
SHEET 3/3		CHK	Date	Dwg. No. A00265 Part No. HSR-ADXXX
FINISH		APPR	Date	
Scale N/A	Unit: mm			SIZE A4 REV 1.9

Drawing is subject to change without notice. Any updated information required, please contact with our sales dept.