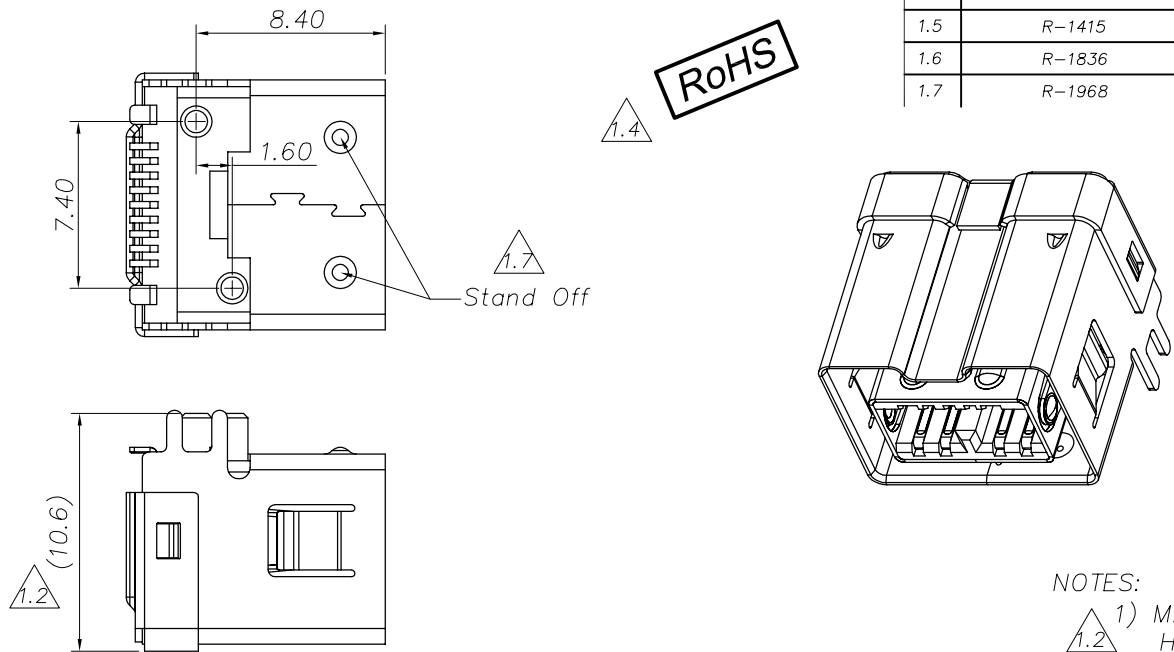


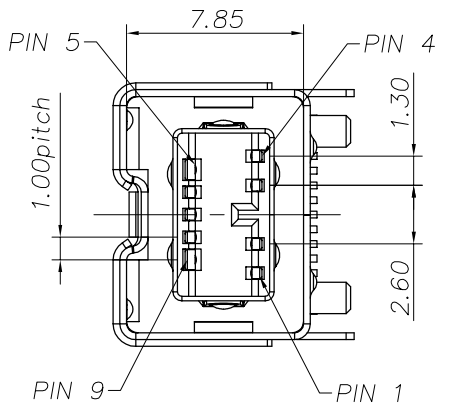
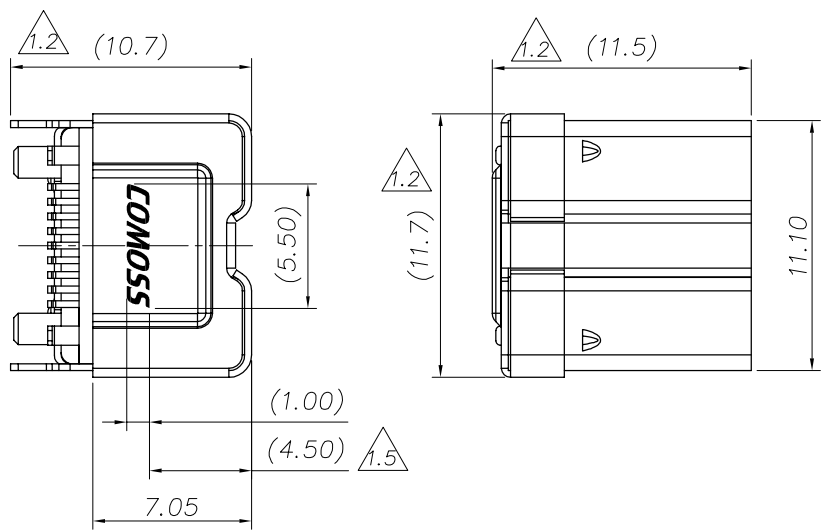
**CUSTOMER COPY**

REV.	DESCRIPTION	BY/DATE	CHECK/DATE	APPROVED/DATE
1.4	R-0770	Jerry/Nov,08,06'		
1.5	R-1415	Lemon Dec,05,07'		
1.6	R-1836	Lemon Apr,15,08'		
1.7	R-1968	Lemon Apr,30,09'		



NOTES:

- 1) MATERIAL:  
 HOUSING: Thermoplastic, UL94V-0  
 CONTACT: Copper Alloy  
 SHELL: BRASS
- 2) PLATING:  
 Please refer to order information



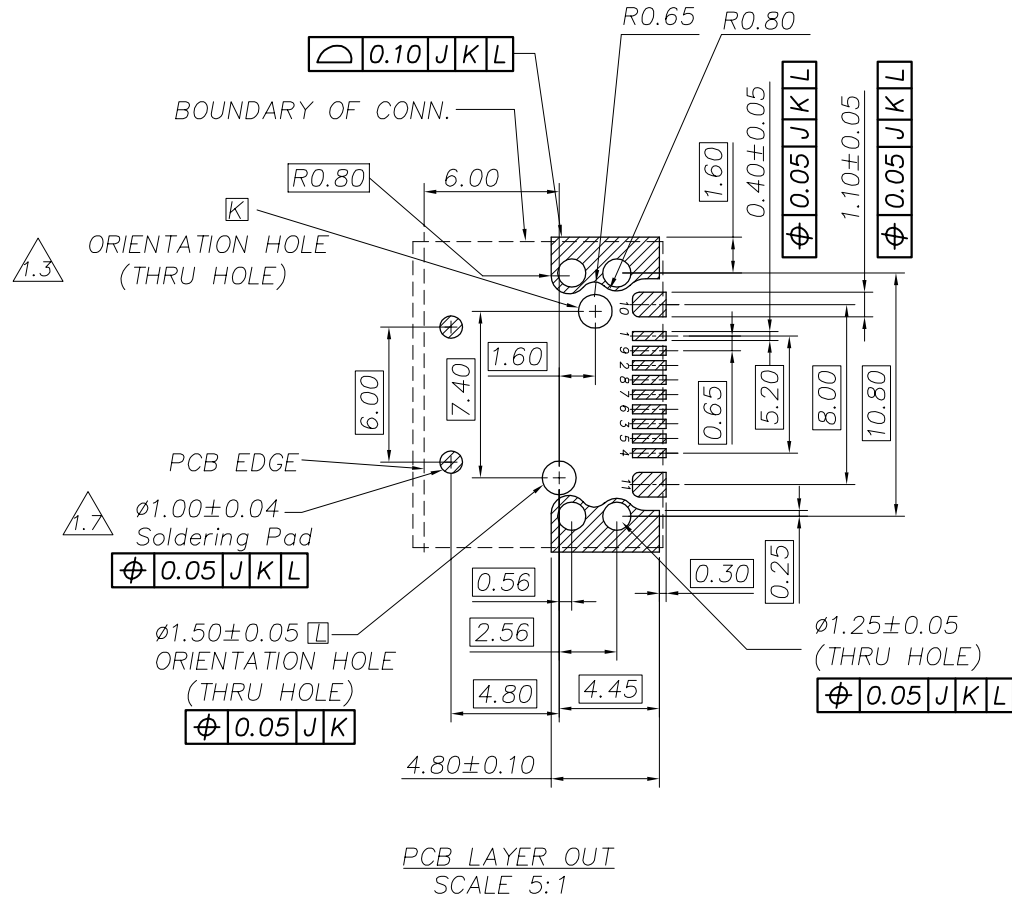
General Tolerance	Angle Tolerance	Dwg	Date	<b>COMOSS®</b> COMOSS ELECTRONIC CO., LTD. 4F., No. 11, Chung-Hsin St., ShuLin 238, Taipei, Taiwan R.O.C.
.X ±0.30	.X° ±1.0°	Paul	Apr/14,03'	
.XX ±0.20	.XX° ±0.5°	Design	Date	Item 1394b Bilingual Socket Connector (Dip, Dual Lugs)
.XXX ±0.10	.XXX° ±0.2°	Ben	03/14/02'	
SHEET 1/3		CHK	Date	Dwg. No. A00297 Part No. HSR-BNXXXSF
FINISH -----		APPR	Date	
Scale N/A	Unit: mm			SIZE A4 REV 1.7

Drawing is subject to change without notice. Any updated information required, please contact with our sales dept.

**CUSTOMER COPY**

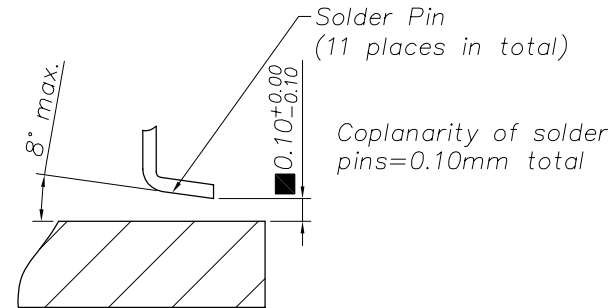
**RoHS**

REV.	DESCRIPTION	BY/DATE	CHECK/DATE	APPROVED/DATE
1.4	R-0770	Jerry/Nov,08,06'		
1.5	R-1415	Lemon Dec,05,07'		
1.6	R-1836	Lemon Apr,15,08'		
1.7	R-1968	Lemon Apr,30,09'		



Notes:

- Electrical Specifications:  
Voltage: 30V  
Current: 1.5 AMPS  
Contact Resistance: 50mΩ max.  
Shell Resistance: 50mΩ  
Insulation Resistance: 100 MΩ min.  
Dielectric Withstand: 100Vdc
- Temperature Range:  
Operating: -40°C ~ +85°C  
Storage: -40°C ~ +105°C
- The Clearance Between the contact and PCB no more than 0.10mm



View of Coplanarity

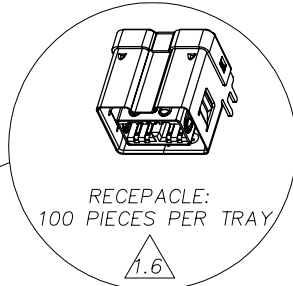
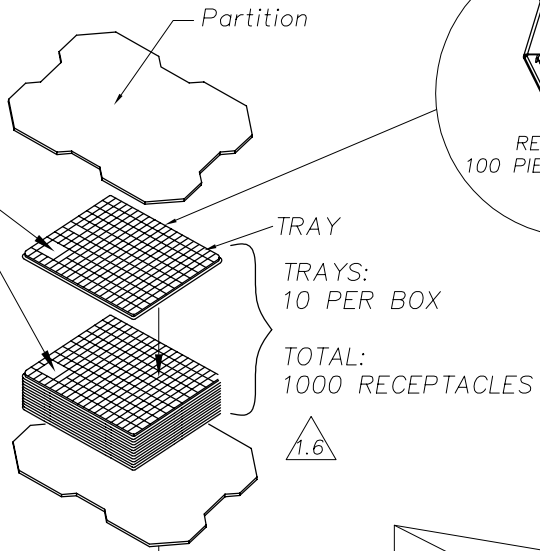
General Tolerance		Angle Tolerance		Dwg	Date	COMOSS® COMOSS ELECTRONIC CO., LTD. 4F., No. 11, Chung-Hsin St., ShuLin 238, Taipei, Taiwan R.O.C.
.X	±0.30	.X°	±1.0°	Paul	Apr/14,03'	
.XX	±0.20	.XX°	±0.5°	Design Ben	Date 03/14/02'	Item 1394b Bilingual Socket Connector (Dip, Dual Lugs)
.XXX	±0.10	.XXX°	±0.2°	CHK	Date	
SHEET 2/3				APPR	Date	Dwg. No. A00297
FINISH -----				Scale N/A	Unit: mm	SIZE A4
						Part No. HSR-BNXXSF
						REV 1.7

Drawing is subject to change without notice. Any updated information required, please contact with our sales dept.

# CUSTOMER COPY

**COMOSS®**

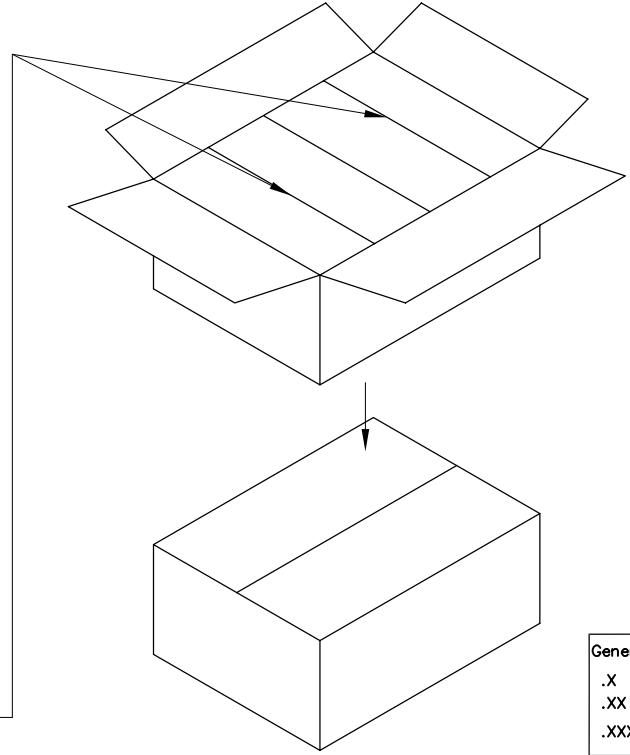
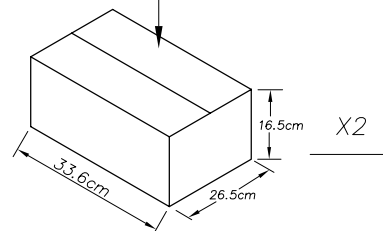
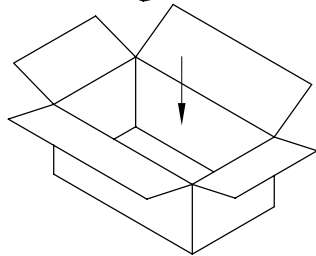
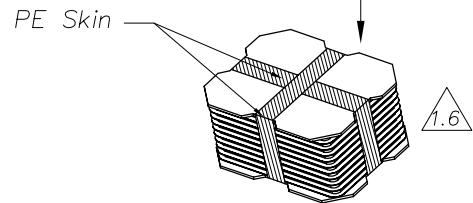
Item : \_\_\_\_\_  
 P/N : \_\_\_\_\_  
 Qty : \_\_\_\_\_  
 Date: \_\_\_\_\_



**RoHS**

1.4

REV.	DESCRIPTION	BY/DATE	CHECK/DATE	APPROVED/DATE
1.4	R-0770	Jerry/Nov,08,06'		
1.5	R-1415	Lemon Dec,05,07'		
1.6	R-1836	Lemon Apr,15,08'		
1.7	R-1968	Lemon Apr,30,09'		



SIZE: 555X365X185

The color of the text is red

**COMOSS®**

Item : \_\_\_\_\_  
 P/N : \_\_\_\_\_  
 Qty : \_\_\_\_\_  
 Date: \_\_\_\_\_

40.00

70.00

General Tolerance		Angle Tolerance		Dwg		Date		<b>COMOSS®</b> COMOSS ELECTRONIC CO., LTD. 4F., No. 11, Chung-Hsin St., ShuLin 238, Taipei, Taiwan R.O.C.	
.X	±0.30	.X°	±1.0°	Paul	Apr/14,03'	Design			
.XX	±0.20	.XX°	±0.5°	Samdy	11/09/02'	CHK		Date	
.XXX	±0.10	.XXX°	±0.2°	SHEET 3/3		APPR		Date	Item 1394b Socket Connector Packing(Bilingual Dip,Dual Lugs)
FINISH		Scale N/A		Unit: mm		APPR		Date	Dwg. No. A00297
									Part No. HSR-BNXXXSF
									SIZE A4
									REV 1.7

Drawing is subject to change without notice. Any updated information required, please contact with our sales dept.