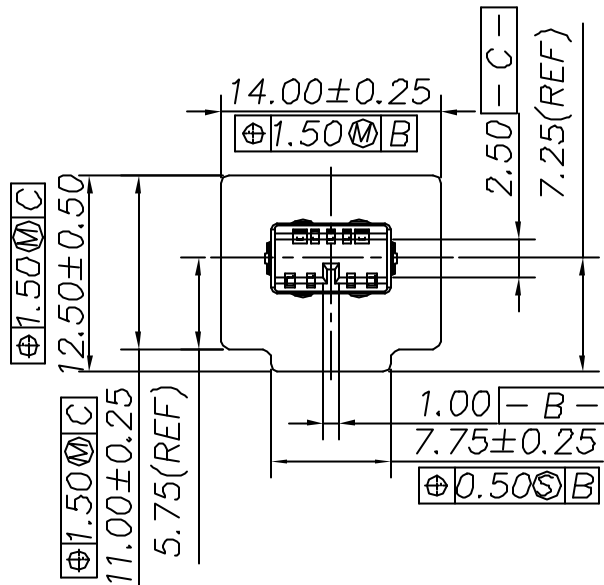
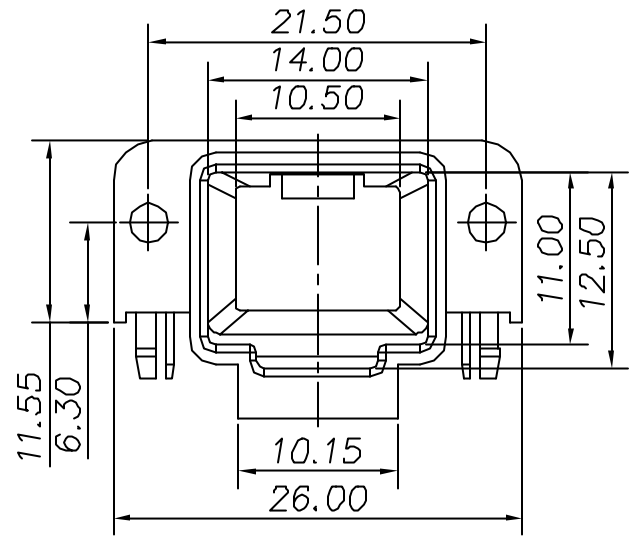


CUSTOMER COPY

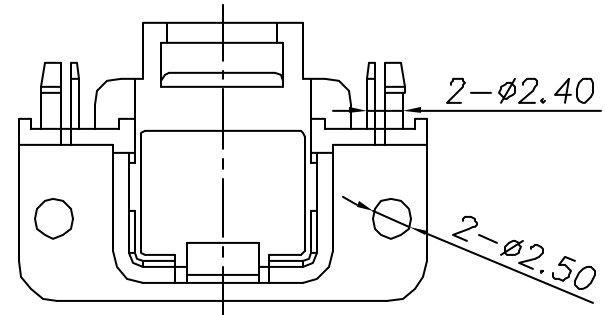
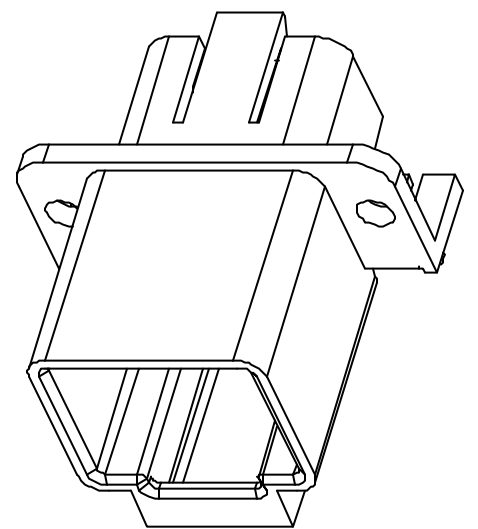
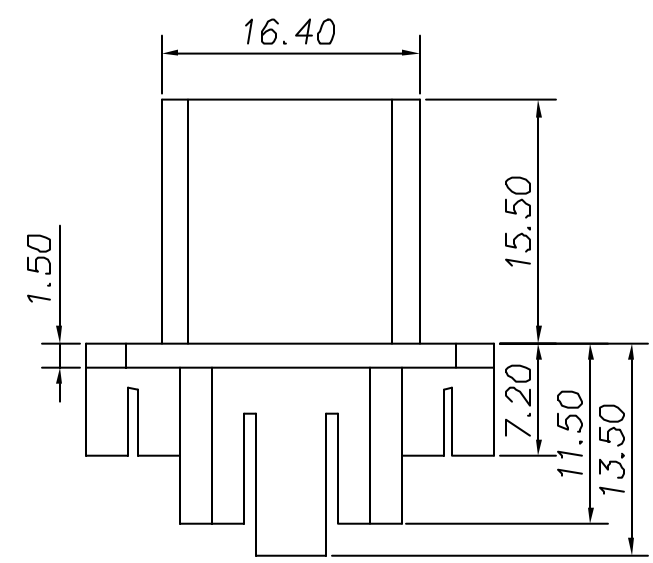
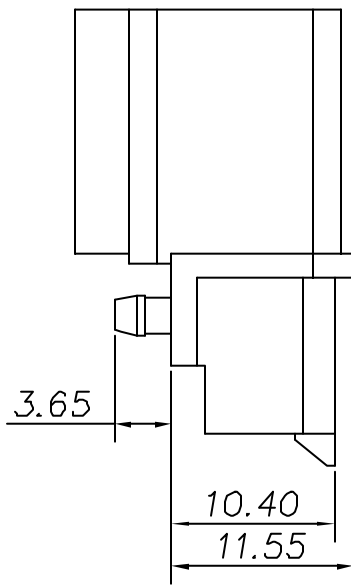
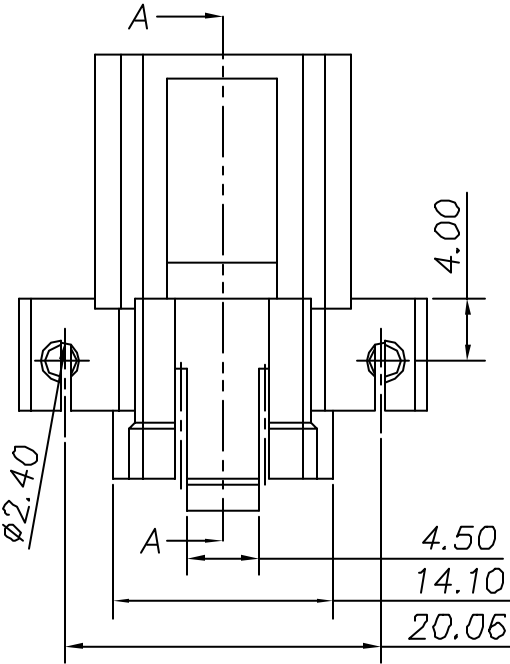
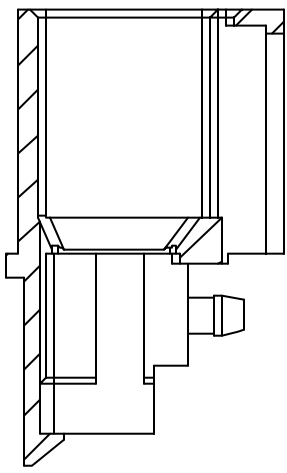
Single Bay Panel Opening



REV.	DESCRIPTION	BY/DATE	CHECK/DATE	APPROVED/DATE
1.0	Original	Paul/May,03,03'		
1.1	Change the post	Frank/Jun,26,03		

Note:

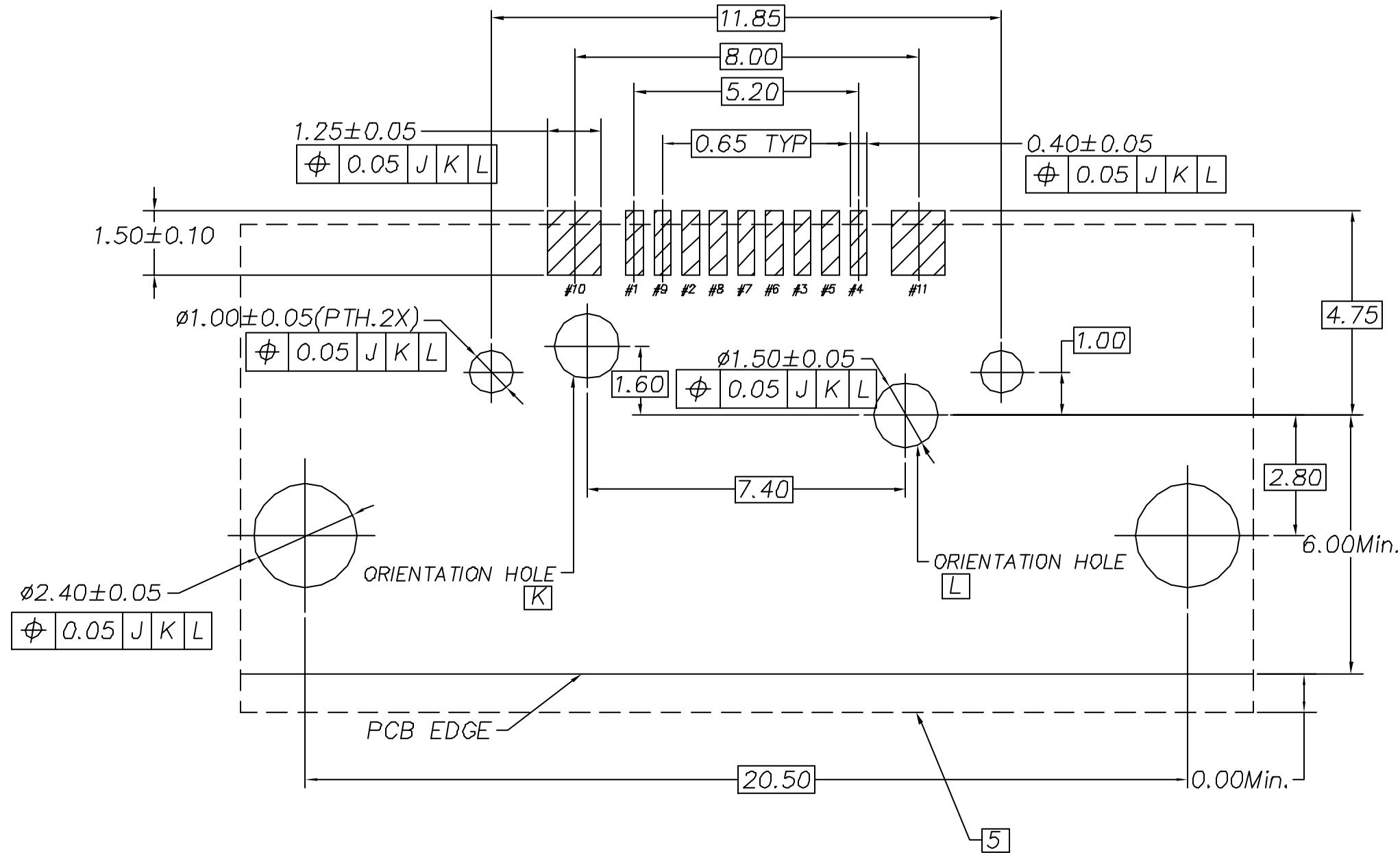
- 1) Material : Plating-able ABS Black
- 2) All Surfaces Nickel Plated

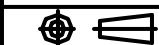


General Tolerance	Angle Tolerance	Dwg	Date	COMOSS® COMOSS ELECTRONIC CO., LTD. 4F., No. 11, Chung-Hsin St., ShuLin 238, Taipei, Taiwan R.O.C.
.X ±0.15	.X° ±1.0°	Paul	May,03,03	
.XX ±0.10	.XX° ±0.5°	Design	Date	
.XXX ±0.05	.XXX° ±0.2°	Ben	03,14,02'	Item
SHEET 1/2		CHK	Date	1394b Socket
FINISH See Notes		APPR	Date	IDB CORE-BODY SINGLE BAY
Scale N/A	Unit: mm			Dwg. No. A00369
				Part No. A0205024
				SIZE A3
				REV 1.1

CUSTOMER COPY

REV.	DESCRIPTION	BY/DATE	CHECK/DATE	APPROVED/DATE
1.0	Original	Paul/May,03,03'		
1.1	Change the post	Frank/Jun,26,03		



General Tolerance	Angle Tolerance	Dwg	Date	COMOSS® COMOSS ELECTRONIC CO., LTD. 4F., No. 11, Chung-Hsin St., ShuLin 238, Taipei, Taiwan R.O.C.
.X ±0.15	.X° ±1.0°	Paul	May,03,03'	
.XX ±0.10	.XX° ±0.5°	Design	Date	Item 1394b Socket IDB CORE-BODY SINGLE BAY PCB Footprint Layout
.XXX ±0.05	.XXX° ±0.2°	Ben	03,14,02'	
SHEET 2/2		CHK	Date	Dwg. No. A00369 Part No. A0205024
FINISH -----		APPR	Date	
Scale N/A	Unit: mm			SIZE A3 REV 1.1