

# COMOSS

COMOSS ELECTRONIC CO., LTD.

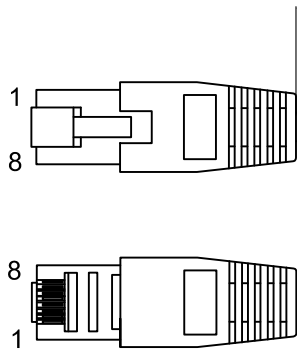


DATE :	Aug/29/23'
CMS P/N :	
Dwg No:	
CUST. P/N :	
CUSTOMER :	
DESCRIPTION	8P8C/1-M12 X Code/F08P-xM-HF(Black,OD6.8)
APPROVE:	

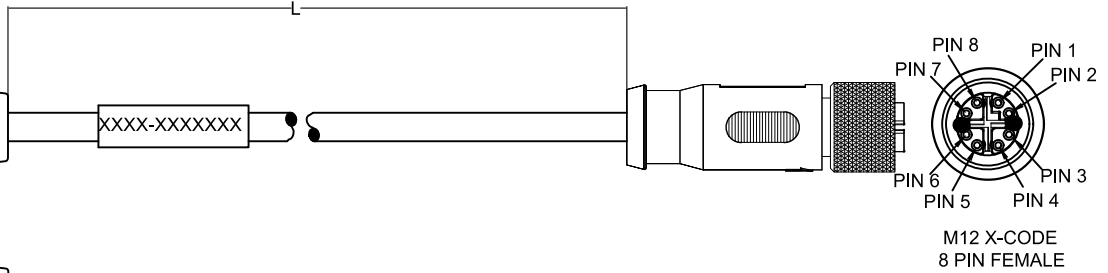
REV.	DATE	DESCRIPTION	BY
A	Aug/29/23'		MARK

## ■ CONFIGURATION

END A



END B



## ■ SPECIFICATION OF MATERIAL

### 1. END A

CONT. PLATING  MOLD No.  SHIELD'G

CONNECTOR TYPE  T. SCREW

### 2. END B

CONT. PLATING  MOLD No.  SHIELD'G

CONNECTOR TYPE  T. SCREW

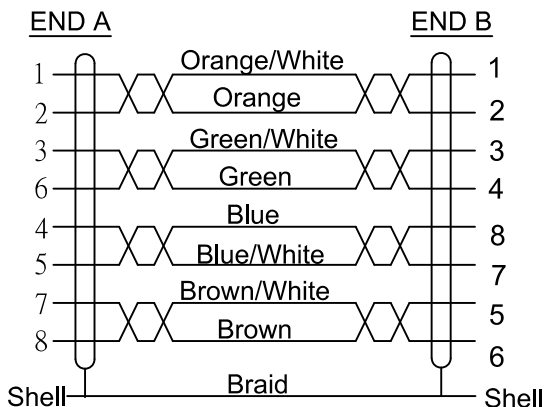
### 3. WIRES

WIRE GAUGE  LENGTH  SHIELD'G

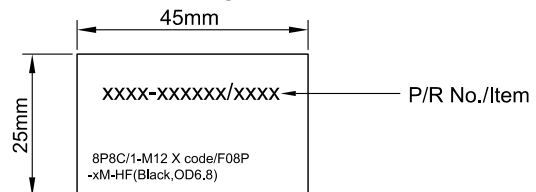
CONDUCTORS  COLOR  UL/CSA

JACKET MAT'L  INS. MAT'L  WIRE O.D.

### 4. CONNECTOR PIN OUT



5.3 P/N Label to be 45x25mm and covered by a transparent  $\phi$ 8.0x50mm long heat shrink tube.



5.4 Product packing: The Label on the middle position just above middle PE bag specification: 45x25mm (White background with black text).

5.5 Cable Flexibility: 300K cycle (Bending)  
1KK cycle (Slide)  
2.8KK cycle (Twist)

### 5. SPECIAL REQUIREMENTS

5.1 Product requirement for Green environment protection: RoHS.

5.2 Overmold PVC is 45P Black (RoHS)